

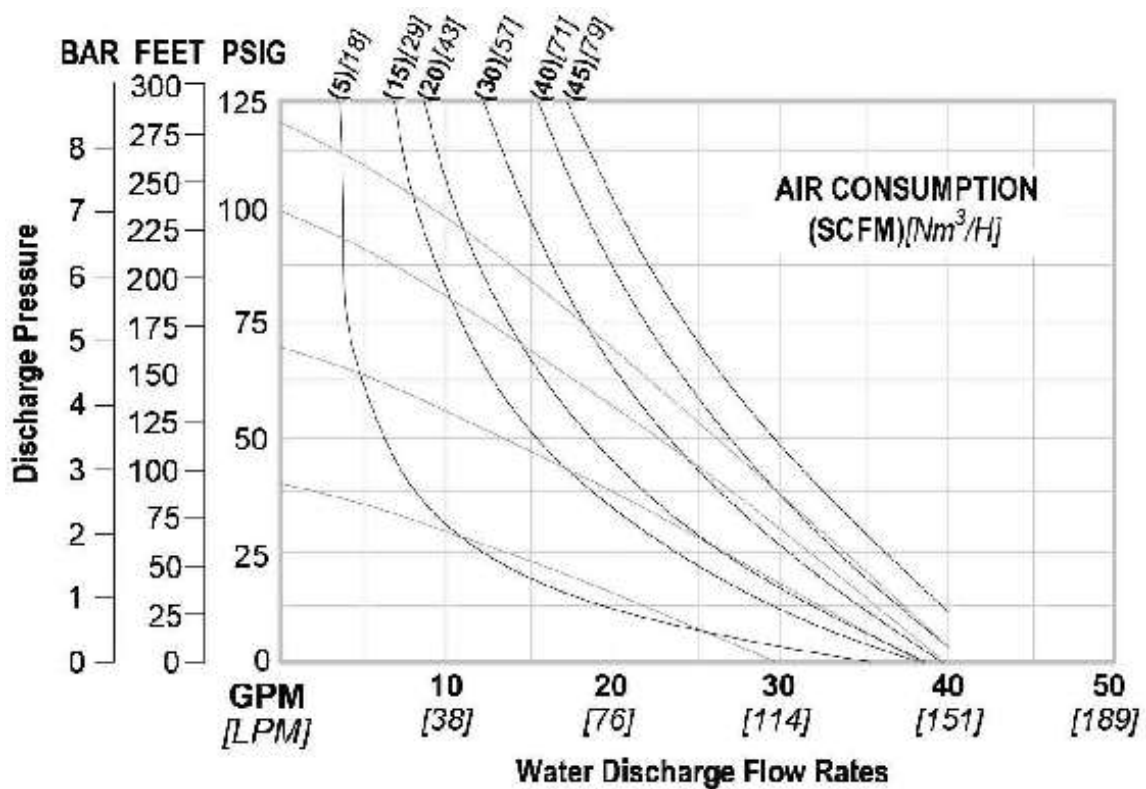
AIR OPERATED DOUBLE DIAPHRAGM PUMP

SECTION 1 – NOMENCLATURE

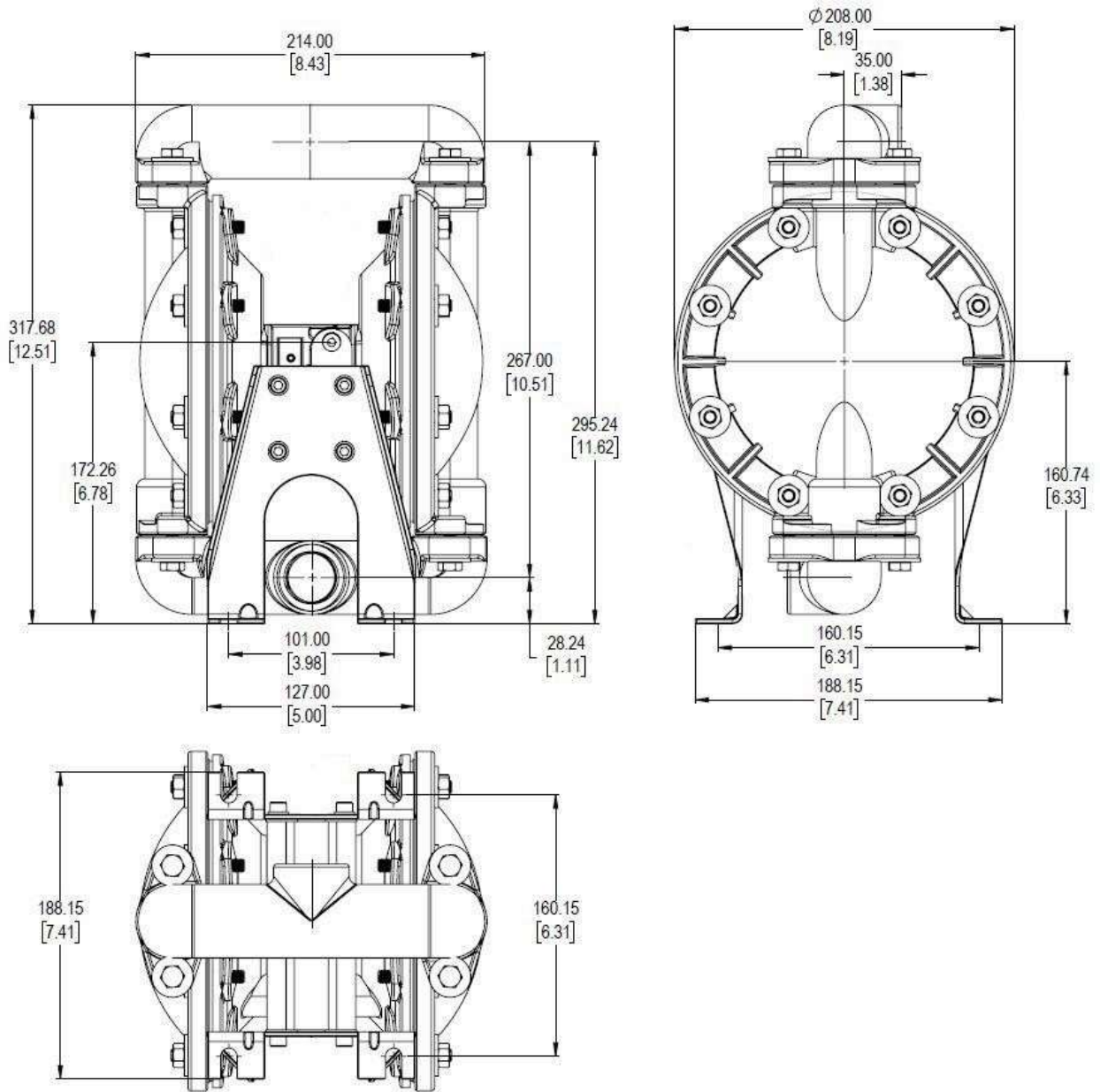
Max Flow rate	: 135Lpm
Port Size	: Inlet : 25.40mm (1" BSP) Discharge : 25.40mm (1" BSP) Air Inlet : 1/4" BSP Air Exhaust : 12.70mm (1/2" BSP)
Suction Lift	: Dry : 3.05m (10') Wet : 4.89m (16')
Teflon	: Dry : 2.14m (7') Wet : 3.98m (13')
Max Particle Size (Dia)	: 3.17mm (0.125")
Diaphragm	: Teflon, Santoprene, Buna



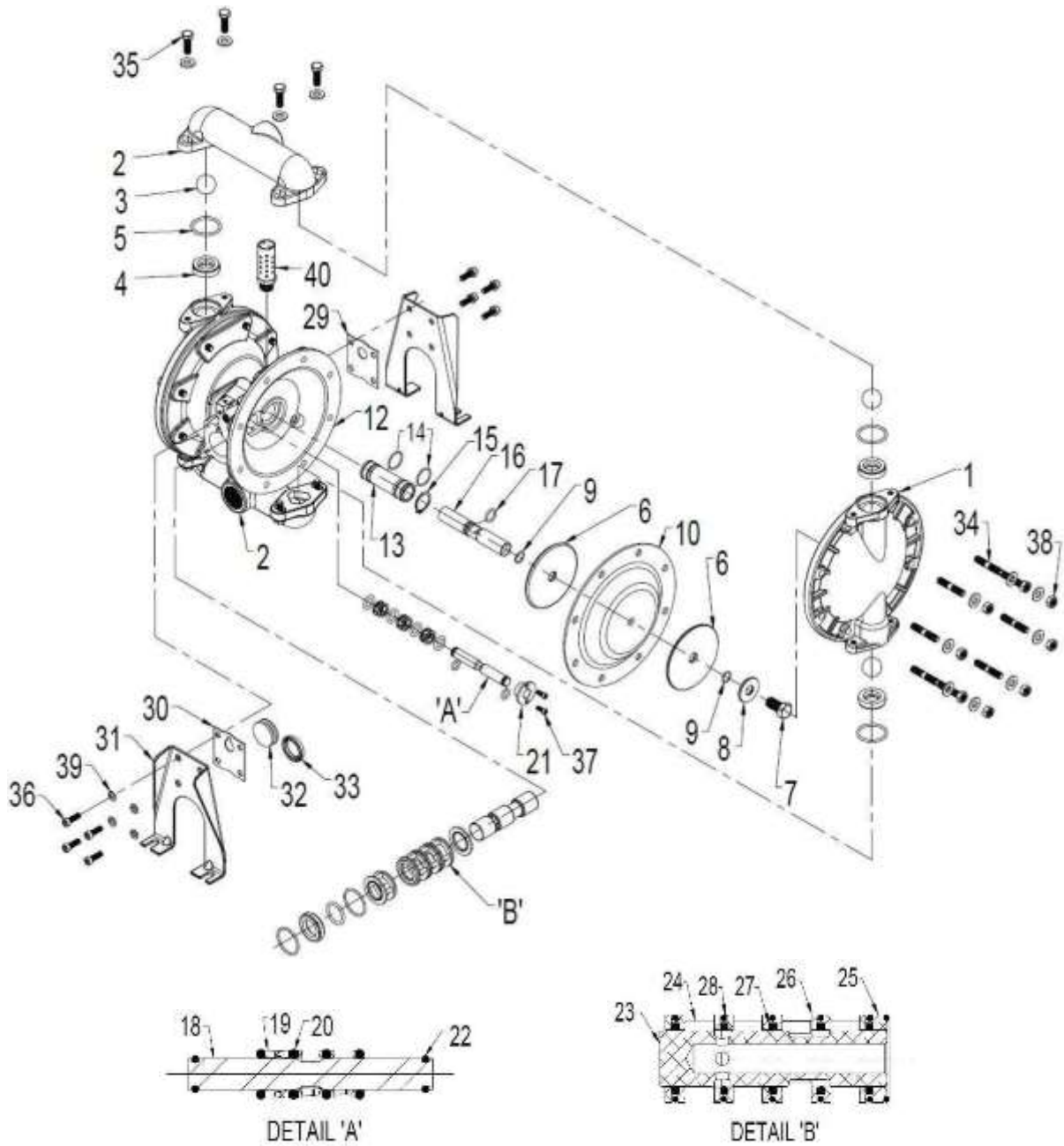
SECTION 2 – FLOW CURVES



SECTION 3 – DIMENSIONAL DRAWING



SECTION 4 – PUMP VIEW



SECTION 5 – SPARE PARTS LIST

No.	Part Description	Qty.	Aluminum Rubber
1	Liquid Chamber	2	N94945
2	Suction/Discharge Manifold-NPT	2	N92001
3	Ball, BUNA	4	N90532-2
4	Ball Seat	4	N92008-1
5	Seat O-Ring	4	NY325-126
6	Holding Plate/Lock Nut	4	T9344-1
7	Lock Nut (Hex Bolts)	2	NY5-85-T
8	Lock Nut Washer	2	N93189-1
9	Holding Plate/Lock Nut O-Ring	4	NY325-14
10	Diaphragm	2	N90533-2
11	Back Up Diaphragm	*	
12	Center Block	1	N94743
13	Sleeve	1	N94527
14	Sleeve O-Ring	2	NY325-20
15	Sleeve Retaining Ring	2	NY145-25
16	Main Shaft	2	N98724-1
17	Main Shaft O-Ring	1	NY330-113
18	Pilot Shaft	1	N93309-1
19	Spacer	3	N115959
20	Spacer O-Ring	4	N93075
21	Pilot Sleeve Bushing	2	N98723-1
22	Pilot Shaft Lock O-Ring	2	N94820

No.	Part Description	Qty.	Aluminum Rubber
23	Piston	1	N92005
24	Piston Spacer	4	N92876
25	Piston Spacer Big	1	N92006
26	Piston Spacer Washer	5	N92877
27	Piston Spacer Ring Small	5	NY325-214
28	Piston Spacer Ring Big	6	NY325-126
29	Piston Block O Gasket	1	N92004
30	Piston Block U Gasket	1	N92878
31	Stand	2	N93707-1
32	Piston Block Cap	1	N92011
33	Piston Block Cap U Cap	1	NY186-51
34	M 8 x 45 MM SS Stud	16	N92866-1
35	M 8 x 25 MM Hex Bolts SS (Suc/Dis)	8	NY6-55-T
36	M 8 x 3/4" SS Stand Bolts	8	NY6-42-T
37	Sleeve Bushing Screw	4	NY154-41
38	Flange Nut SS M 8	16	NY12-5-5
39	1/4 x 12.5 x 1.2 MM SS Washer (P B Allen Bolt)	8	NY14-416-T
40	Muffler	1	N93110